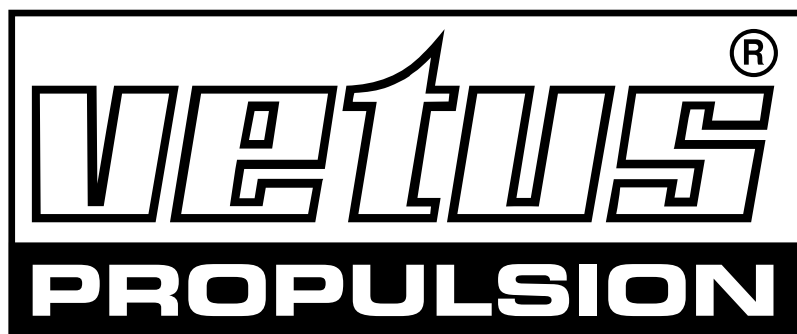


# parts catalogue



**EP2200**

**EP2200H**

**EP2200K**

**EP2200KH**

Deze onderdelencatalogus bevat waardevolle informatie voor onderhoud en service aan uw motor.

Wij adviseren U, bij vervanging alleen originele *VERBUS* onderdelen toe te passen.

Het typeplaatje bevat informatie over de type-aanduiding, het motornummer en de serie.

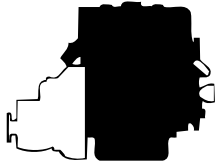
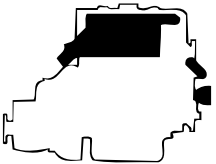
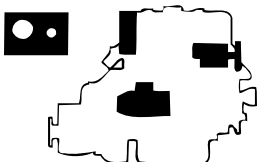

Gebruik deze informatie bij bestelling van onderdelen.

This parts' catalogue contains valuable information for maintenance and service over your engine.

For replacement, we recommend that you use only genuine *VERBUS* parts.

The identification tag contains information about model, serial number and series.

Use this information when ordering parts.

		<b>1</b>
	<b>MOTOR ENGINE</b>	<b>2</b>
	<b>KOELING COOLING</b>	<b>3</b>
	<b>ELECTRA, BEDIENING EN INSTRUMENTEN ELECTRICS, CONTROLS, INSTRUMENTS</b>	<b>4</b>
		<b>5</b>
		<b>6</b>
		<b>7</b>
		<b>8</b>
		<b>9</b>
	<b>ACCESSOIRES OPTIONALS</b>	<b>10</b>

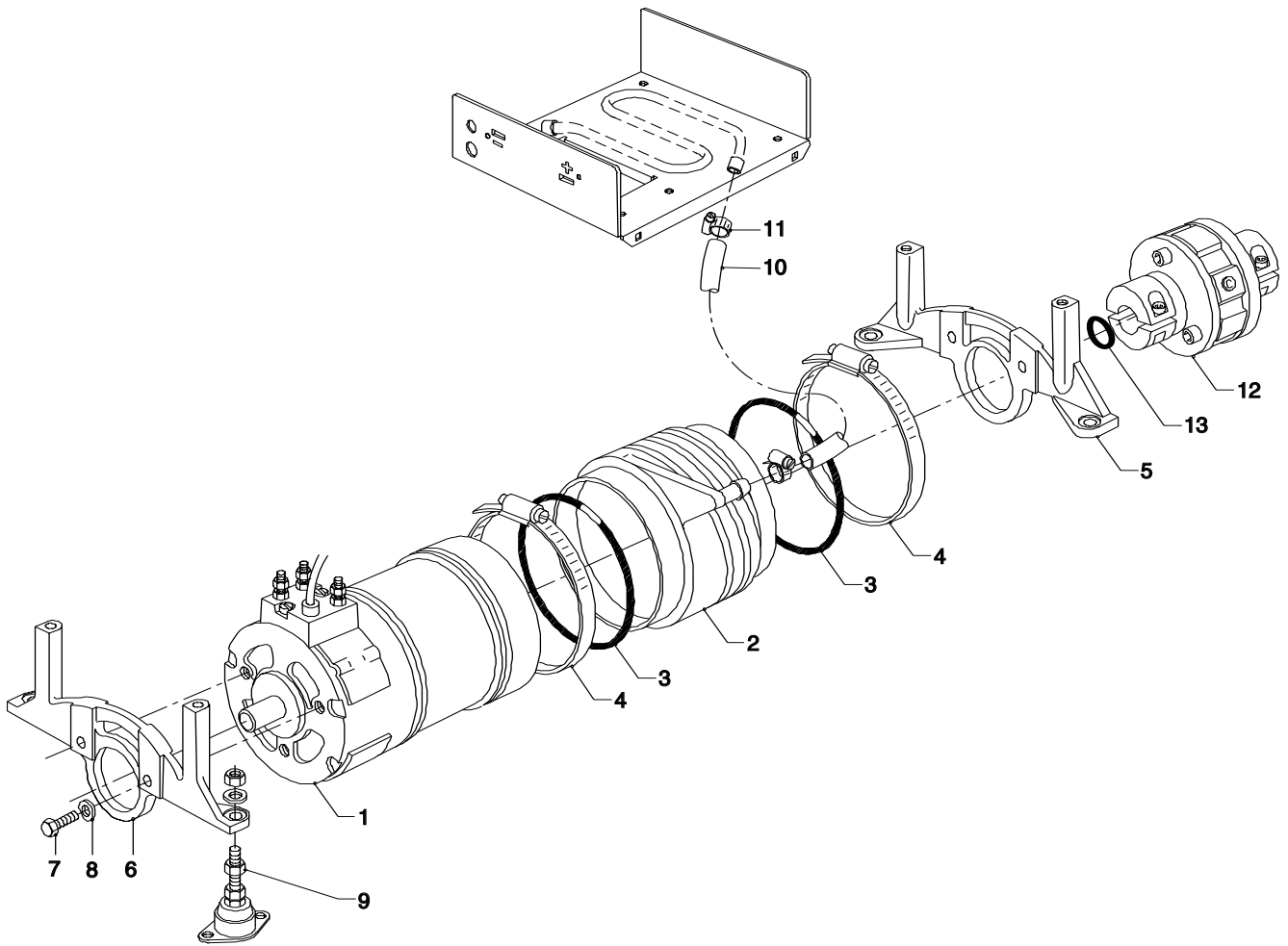
# onderdelencatalogus parts catalogue



groep/ group 2	blz./ page 1	type EP2200	omschrijving/description Electrische voortstuwing Electric propulsion	datum/date 11 08 03
----------------------	--------------------	----------------	---	------------------------

pos.	qty	part	benaming		description
1	1	STM7110	Electromotor 2,2 kW		EP0025 Electric motor 2.2 kW
2	1	STM7154	Mantel	EP0026	Jacket
3	2	STM7155	O-ring 138 x 6	FTR10	O-ring
4	2	STM7202	Slangklem		Hose clamp
5	1	STM7111	Steun ø 60	EP0021	Support ø 60
6	1	STM7112	Steun ø 59	EP0003	Support ø 59
7	2	STM3355	Bout M8 x 20 RVS	B08205R	Bolt M8 x 20 SS
8	2	STM8424	Gegolfde veerring M8 RVS	R085R	Wave spring washer M8 SS
9	4	STM7115	Trillingdemper	EP0004	Vibration mount
10	1	STM7174	Slang	EP0035	Hose
11	2	STM7198	Slangklem 12-22 <-11 08 03	SLKL12	Hose clamp 12-22 <-11 08 03
	2	STM7296	Slangklem 16-27 11 08 03->		Hose clamp 16-27 11 08 03->
12	1	STM7170	Flexibele koppeling ø 25 mm	EP0031	Flexible coupling ø 25 mm
	1	STM7212	Flexibele koppeling ø 25,4 mm (1")		Flexible coupling ø 25,4 mm (1")
13	1	STM7172	O-ring 17,17 x 1,78	EP0048	O-ring

groep/ group	blz./ page	type	omschrijving/description	datum/date
2	1	EP2200	Electrische voortstuwing Electric propulsion	19 07 01



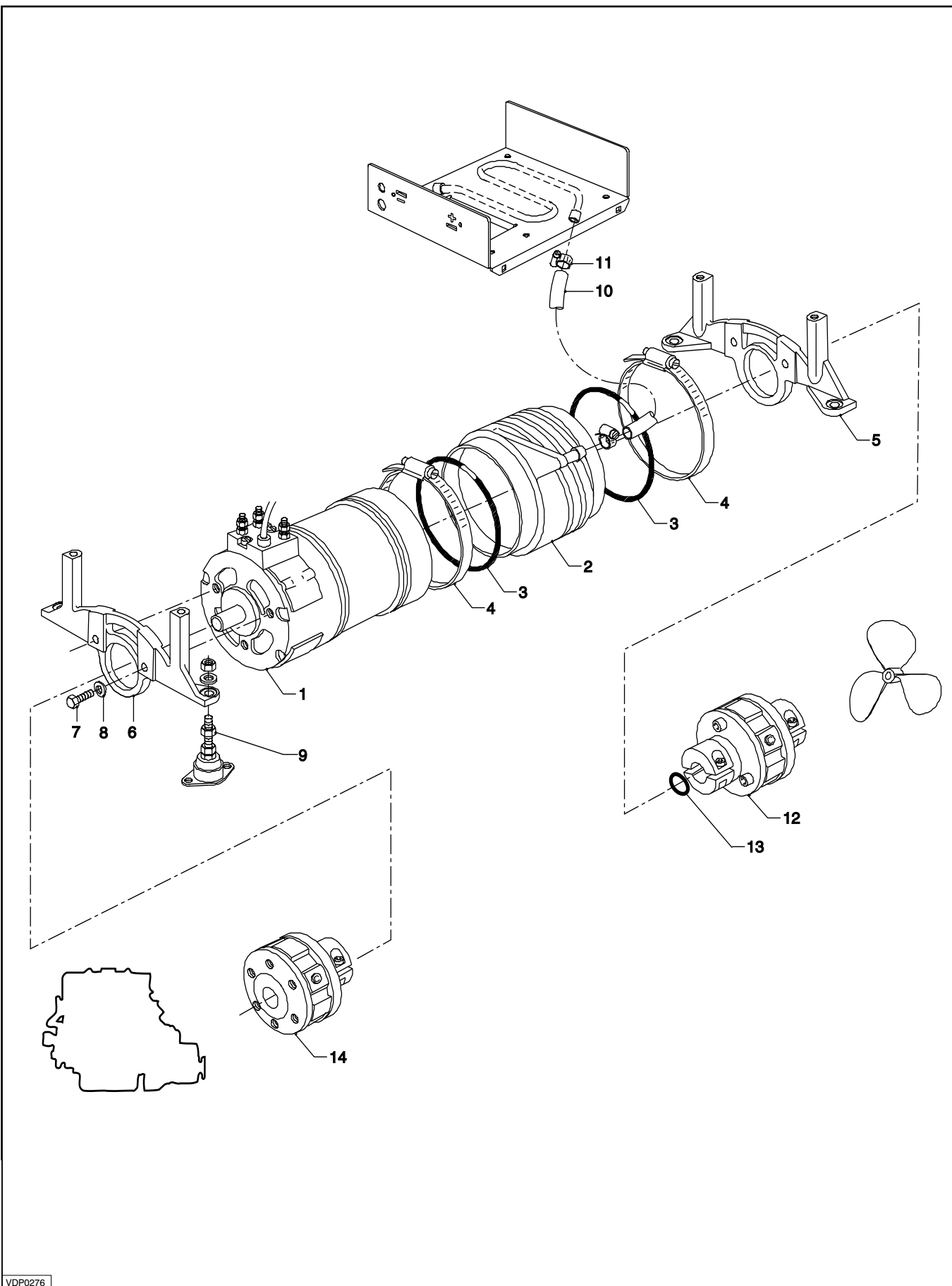
# onderdelencatalogus parts catalogue



groep/ group	blz./ page	type	omschrijving/description	datum/date
2	2	EP2200H	Electrische voortstuwing, hybride uitv. Electric propulsion, hybrid version	11 08 03

pos.	qty	part	benaming		description
1	1	STM7110	Electromotor 2,2 kW	EP0025	Electric motor 2.2 kW
2	1	STM7154	Mantel	EP0026	Jacket
3	2	STM7155	O-ring 138 x 6	FTR10	O-ring
4	2	STM7202	Slangklem		Hose clamp
5	1	STM7111	Steun ø 60	EP0021	Support ø 60
6	1	STM7112	Steun ø 59	EP0003	Support ø 59
7	2	STM3355	Bout M8 x 20 RVS	B08205R	Bolt M8 x 20 SS
8	2	STM8424	Gegolfde veerring M8 RVS	R085R	Wave spring washer M8 SS
9	4	STM7115	Trillingdemper	EP0004	Vibration mount
10	1	STM7174	Slang	EP0035	Hose
11	2	STM7198	Slangklem 12-22 <-11 08 03	SLKL12	Hose clamp 12-22 <-11 08 03
	2	STM7296	Slangklem 16-27 11 08 03->		Hose clamp 16-27 11 08 03->
12	1	STM7170	Flexibele koppeling ø 25 mm	EP0031	Flexible coupling ø 25 mm
	1	STM7212	Flexibele koppeling ø 25,4 mm (1")		Flexible coupling ø 25,4 mm (1")
13	1	STM7172	O-ring 17,17 x 1,78	EP0048	O-ring
14	1	BULFL0120	Flex.koppeling Bullflex 1, ø 20 mm		Flex. coupling Bullflex 1, 20 mm dia.

groep/ group	blz./ page	type	omschrijving/description	datum/date
2	2	EP2200H	Electrische voortstuwing, hybride uitv. Electric propulsion, hybrid version	03 12 01



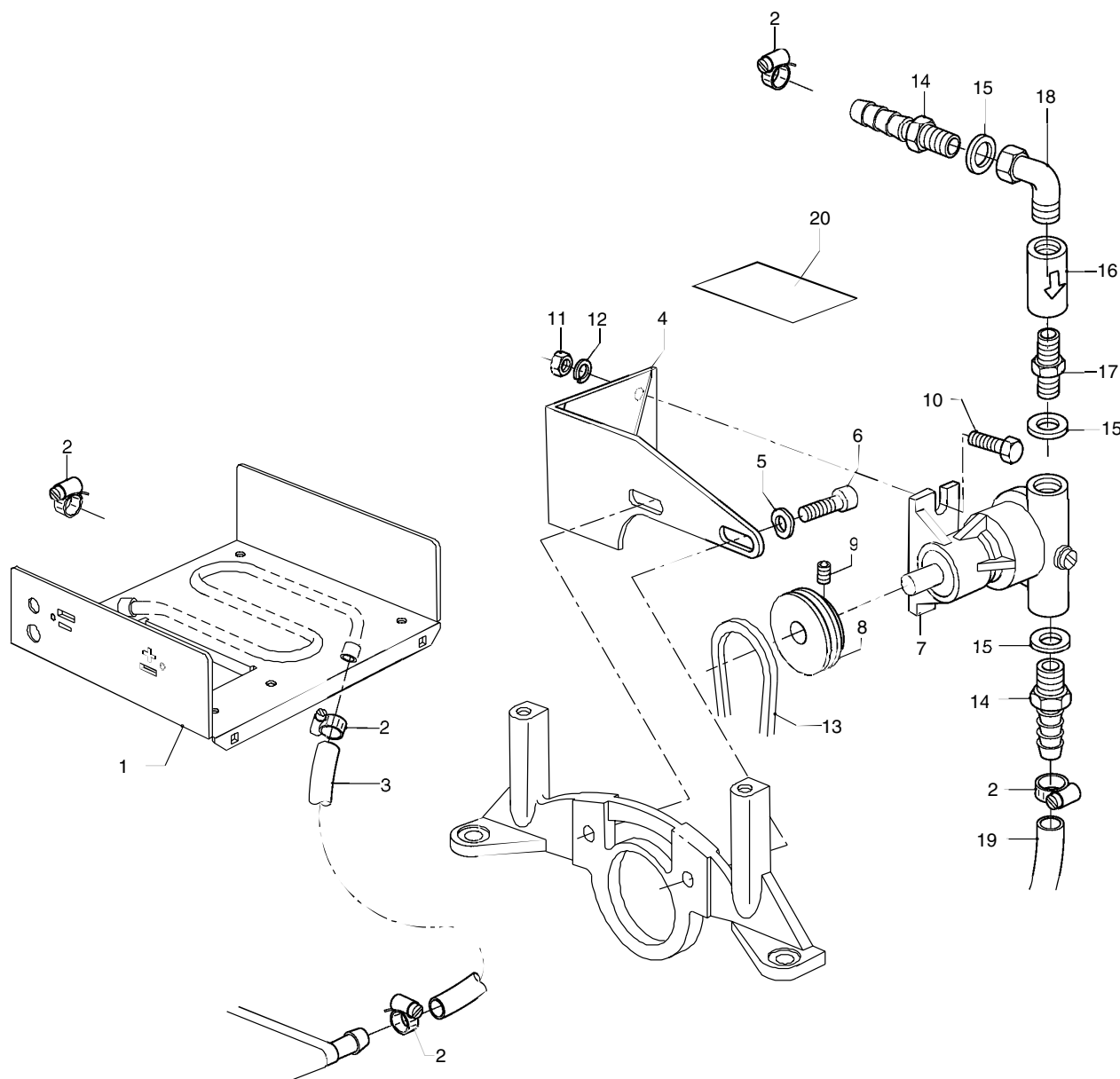
# onderdelencatalogus parts catalogue



groep/ group	blz./ page	type	omschrijving/description	datum/date
3	1	EP2200 EP2200H	Electrische voortstuwing / Electr.voorstuwing hybr. Electric propulsion / Electric propulsion hybrid version	11 08 03

pos.	qty	part	benaming		description	
1	1	STM7175	Onderkast	EP0033	Lower housing	
2	6	STM7198	Slangklem 12-22	<-11 08 03	SLKL12	Hose clamp 12-22 <-11 08 03
	6	STM7296	Slangklem 16-27	11 08 03->		Hose clamp 16-27 11 08 03->
3	1	STM7174	Slang	EP0035	Hose	
4	1	STM7159	Pompsteun	EP0027	Pump bracket	
5	2	STM7165	Gegolfde veerring M10	R105R	Wave spring washer M10	
6	2	STM7165	Inbusbout M10x30 RVS	B10305R	Allen screw M10x30 SS	
7	1	STM7166	Pomp	EP0028	Pump	
8	1	STM7160	Snaarschijf dw=40	EP0029	Pulley dw=40	
9	1	STM7167	Stelschroef M5x12 RVS	B05126R	Set screw M5x12 SS	
10	2	STM1604	Bout M7x16 RVS	B07165R	Bolt M7x16 SS	
11	2	STM7168	Moer M7 RVS	M07R	Nut M7 SS	
12	2	STM7169	Veerring M7 RVS	R074R	Spring washer M7 SS	
13	1	STM7161	V-snaar	EP0030	V-belt	
14	2	STM3736	Slangpilaar 3/8-15	SLP3/8-15	Hose pillar 3/8-15	
15	3	STM6617	Afdichtring	EP0043	Seal washer	
16	1	STM7178	Terugslagklep	EP0047	Non-return valve 3/8	
17	1	STM7177	Nippel 3/8	NIPPEL3/8	Straight connector 3/8	
18	1	STM7179	Knie 3/8	ELBMF3/8	Knee 3/8	
19	1	STM7171	Slang	EP0032	Hose	
20	1	STM7202	Typeplaatje	EP0049	Type label	

groep/ group	blz./ page	type	omschrijving/description	datum/date
3	1	EP2200 EP2200H	Electrische voortstuwing / Electr. voortstuwing hybr. Electric propulsion / Electric propulsion hybrid version	11 08 03



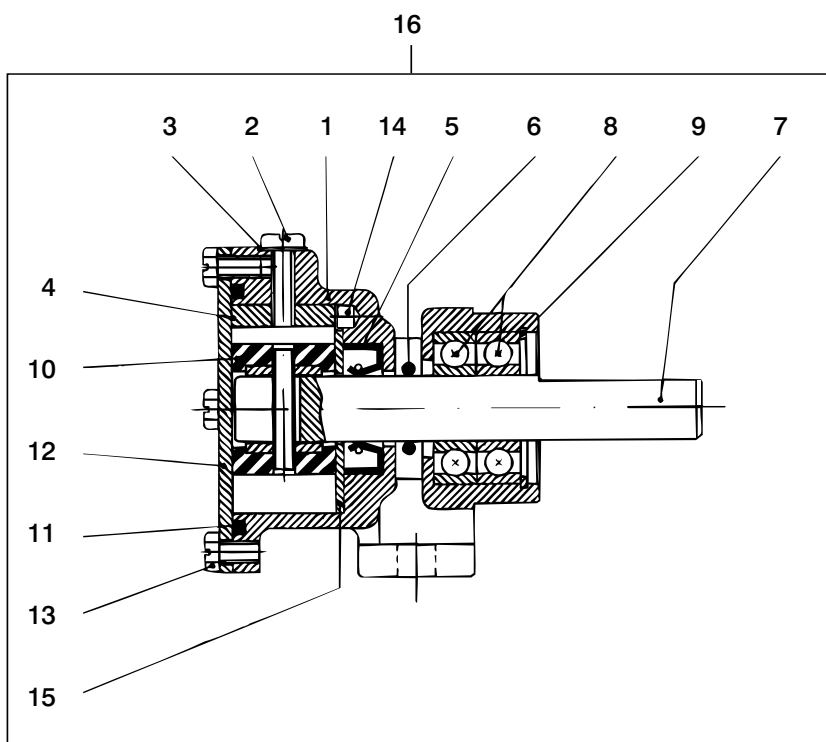
# onderdelencatalogus parts catalogue



groep/ group	blz./ page	type	omschrijving/description	datum/date
3	2	EP2200 EP2200H	Electrische voortstuwing / Electr.voorstuwing hybr. Electric propulsion / Electric propulsion hybrid version	11 08 03

pos.	qty	part	benaming		description
1	1	STM7184	Housing		Body
2	1	STM7185	Schroef		Screw
3	1	STM7186	Ring		Washer
4	1	STM7187	Kam 1/2		Cam 1/2
5	1	STM7188	Dichtring		Lipseal
6	1	STM7189	O-ring		O-ring
7	1	STM7190	As		Shaft
8	2	STM7191	Kogellager		Ball bearing
9	1	STM7192	Borgring		Retainer ring
10	1	STM7180	Impeller		Impeller
11	1	STM7181	O-ring		O-ring
12	1	STM7193	Deksel		Cover
13	4	STM7194	Schroef		Screw
14	1	STM7195	Pen		Pin
15	1	STM7196	Shim		Shim
16	1	STM7166	Pomp compl. 1/2 cam	EP0028	Pomp cpl. 1/2 cam

groep/ group	blz./ page	type	omschrijving/description	datum/date
3	2	EP2200 EP2200H	Electrische voortstuwing / Electr.voorstuwing hybr. Electric propulsion / Electric propulsion hybrid version	03 12 01



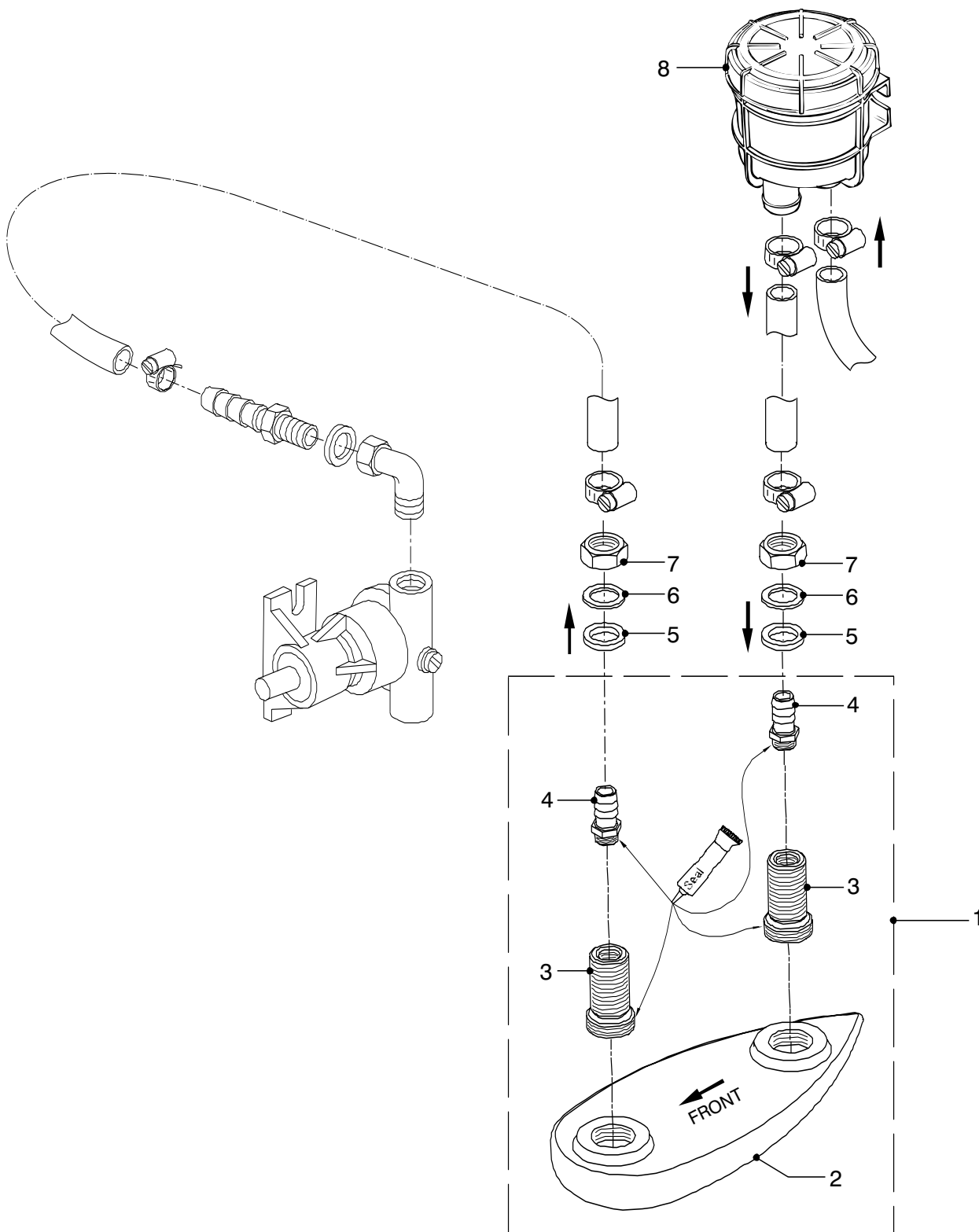
# onderdelencatalogus parts catalogue



groep/ group 3	blz./ page 3	type EP2200K EP2200KH	omschrijving/description Kielkoeler Keelcooler	datum/date 21 01 04
----------------------	--------------------	-----------------------------	--	------------------------

pos.	qty	part	benaming	description
1	1	STM7297	Kielkoel element compleet	Keelcooler element cpl.
2	1	STM7214	Kielkoel element	Keelcooler
3	2	STM7215	Nippel G1-G3/8	Nipple G1-G3/8
4	2	STM3736	Slingpilaar G3/8-16	Hose pillar G3/8-16
5	2	STM7225	Pakking	Gasket
6	2	STM7284	Ring	Washer
7	2	STM7283	Moer G3/4	Nut G3/4
8	1	STM7298	Expansietank	Expansiontank

groep/ group	blz./ page	type	omschrijving/description	datum/date
3	3	EP2200K EP2200KH	Kielkoeler Keelcooler	28 01 04



# onderdelencatalogus parts catalogue

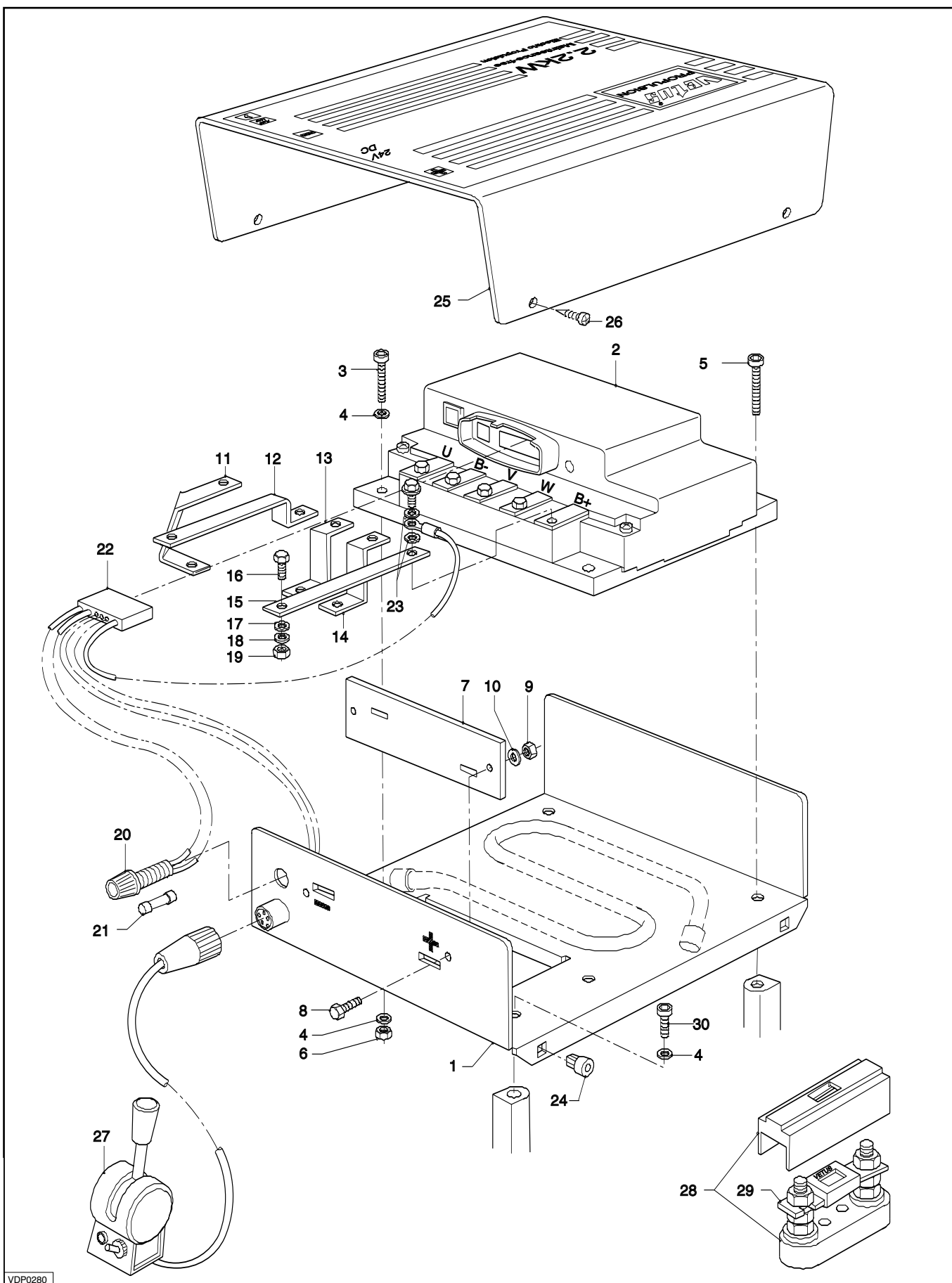


groep/ group	blz./ page	type	omschrijving/description	datum/date
4	1	EP2200	Electrische voortstuwing Electric propulsion	25 10 01

pos.	qty	part	benaming		description
1	1	STM7175	Onderkast	EP0033	Lower housing
2	1	STM7116	Regelaar	EP0005	Controller
3	2	STM7203	Binnenzesk.bout M6 x 25 RVS	B06257R	Hex. socket head cap screw M6 x 25 SS
4	6	STM8568	Gegolfde veerring M6 RVS	R065R	Wave spring washer M6 SS
5	2	STM7204	Binnenzesk.bout M6 x 30 RVS	B06307R	Hex. socket head cap screw M6 x 30 SS
6	6	STM8569	Moer M6 RVS	M06R	Nut M6 SS
7	1	STM7162	Isolatieplaat	EP0034	Insulation plate
8	2	STM8138	Bout M5x10 RVS	B05105R	Bolt M5x10 SS
9	2	STM1705	Moer M5 RVS	M05R	Nut M5 SS
10	2	STM7149	Gegolfde veerring M5 RVS	R055R	Wave spring washer M5 SS
11	1	STM7125	Aansluitstrip U	EP0036	Connection strip U
12	1	STM7124	Aansluitstrip B-	EP0037	Connection strip B-
13	1	STM7126	Aansluitstrip V	EP0038	Connection strip V
14	1	STM7126	Aansluitstrip W	EP0038	Connection strip W
15	1	STM7130	Aansluitstrip B+	EP0039	Connection strip B+
16	2	STM7131	Bout M8 x 16 mess. vernikkeld	B08165R	Bolt M8 x 16 brass, nickel plated
17	2	STM7147	Ring M8 messing vernikkeld	R081R	Washer M8 brass, nickel plated
18	2	STM8424	Gegolfde veerring M8 RVS	R085R	Wave spring washer M8 SS
19	2	STM7148	Moer M8 messing, vernikkeld	M08K	Nut M8 brass, nickel pl.
20	1	STM9184	Zekeringhouder	EP0016	Fuse holder
21	1	STM7143	Glaszek., 6,3x32 mm, 1 A traag	EP0046	Glass fuse, 6.3 x 32 mm, 1 A slow blow
22	1	STM7133	Kabelboom	EP0018	Wiring loom
23	2	STM7147	Ring M8 messing vernikkeld	EP0045	Washer m8 brass, nickel plated
24	4	STM7163	Spreidmoer	EP0040	Nut
25	1	STM7156	Deksel	EP0041	Cover
26	4	STM7164	Plaatschroef 4,2 x 16 RVS	P42164RKP	Tapping screw 4.2 x 16 SS
27	1	STM7132	Bedieningshandel	EP0017	Control lever
28	1	STM7150	Zekeringhouder	ZEHC100	Fuse holder
29	1	STM7138	Fuse 160 A traag	ZE160	Fuse 160 A slow blow
30	2	STM7197	Binnenzesk.bout M6 x 16 RVS	B06317R	Hex. socket head cap screw M6 x 16 SS

Warmtegeleidende pasta (STM7142)

groep/ group	blz./ page	type	omschrijving/description	datum/date
4	1	EP2200	Electrische voortstuwing Electric propulsion	04 09 01



# onderdelencatalogus parts catalogue

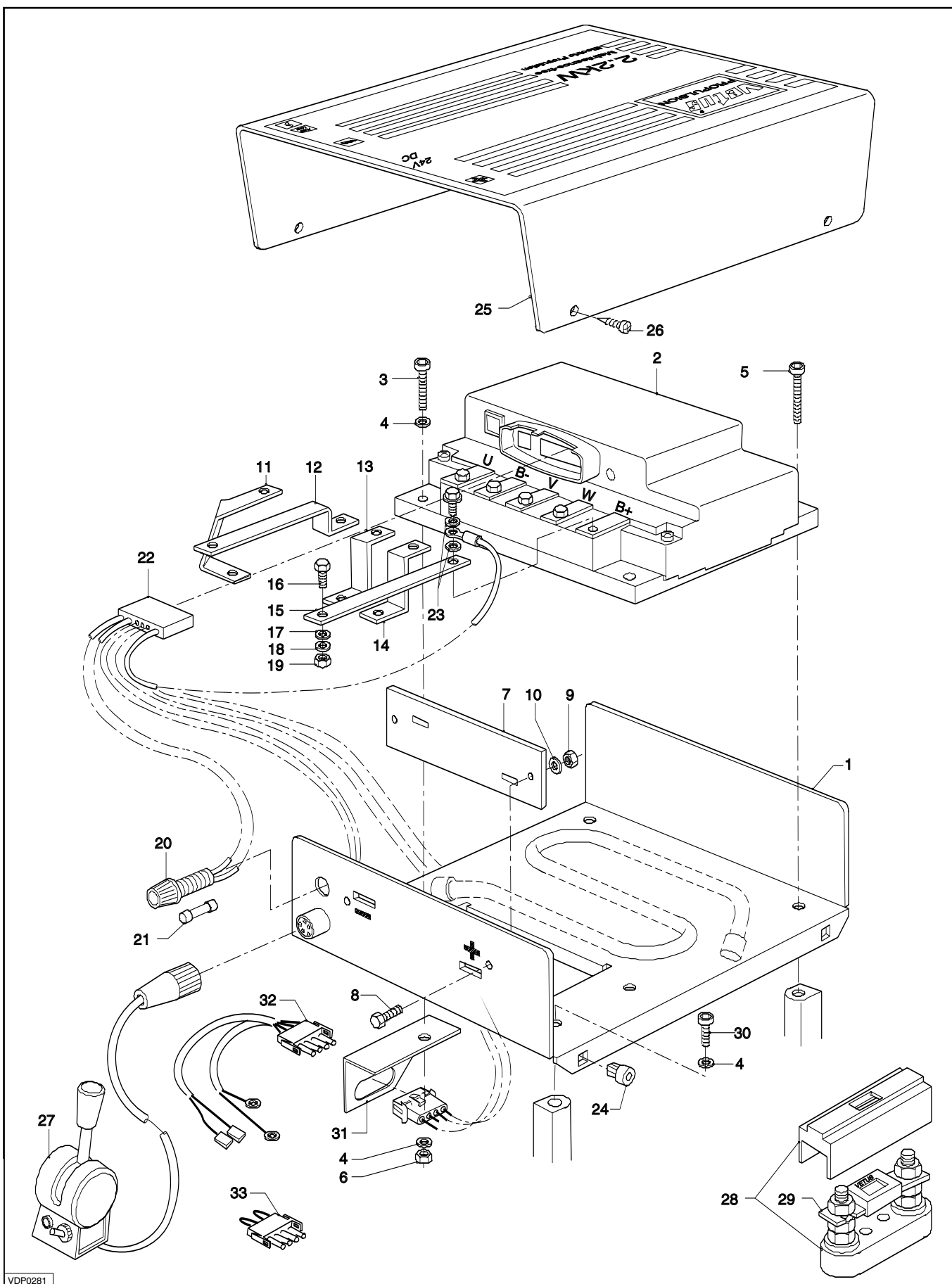


groep/ group	blz./ page	type	omschrijving/description	datum/date
4	2	EP2200H	Electrische voortstuwing, hybride uitv. Electric propulsion, hybrid version	03 12 01

pos.	qty	part	benaming		description
1	1	STM7175	Onderkast	EP0033	Lower housing
2	1	STM7205	Regelaar, hybride	EP0050	Controller, hybrid
3	2	STM7203	Binnenzesk.bout M6 x 25 RVS	B06257R	Hex. socket head cap screw M6 x 25 SS
4	6	STM8568	Gegolfde veerring M6 RVS	R065R	Wave spring washer M6 SS
5	2	STM7204	Binnenzesk.bout M6 x 30 RVS	B06307R	Hex. socket head cap screw M6 x 30 SS
6	6	STM8569	Moer M6 RVS	M06R	Nut M6 SS
7	1	STM7162	Isolatieplaat	EP0034	Insulation plate
8	2	STM8138	Bout M5x10 RVS	B05105R	Bolt M5x10 SS
9	2	STM1705	Moer M5 RVS	M05R	Nut M5 SS
10	2	STM7149	Gegolfde veerring M5 RVS	R055R	Wave spring washer M5 SS
11	1	STM7125	Aansluitstrip U	EP0036	Connection strip U
12	1	STM7124	Aansluitstrip B-	EP0037	Connection strip B-
13	1	STM7126	Aansluitstrip V	EP0038	Connection strip V
14	1	STM7126	Aansluitstrip W	EP0038	Connection strip W
15	1	STM7130	Aansluitstrip B+	EP0039	Connection strip B+
16	2	STM7131	Bout M8 x 16 mess. vernikkeld	B08165R	Bolt M8 x 16 brass, nickel plated
17	2	STM7147	Ring M8 messing vernikkeld	R081R	Washer M8 brass, nickel plated
18	2	STM8424	Gegolfde veerring M8 RVS	R085R	Wave spring washer M8 SS
19	2	STM7148	Moer M8 messing, vernikkeld	M08K	Nut M8 brass, nickel pl.
20	1	STM9184	Zekeringhouder	EP0016	Fuse holder
21	1	STM7143	Glaszek., 6,3x32 mm, 1 A traag	EP0046	Glass fuse, 6.3 x 32 mm, 1 A slow blow
22	1	STM7207	Kabelboom, hybride		Wiring loom, hybrid
23	2	STM7147	Ring M8 messing vernikkeld	EP0045	Washer m8 brass, nickel plated
24	4	STM7163	Spreidmoer	EP0040	Nut
25	1	STM7156	Deksel	EP0041	Cover
26	4	STM7164	Plaatschroef 4,2 x 16 RVS	P42164RKP	Tapping screw 4.2 x 16 SS
27	1	STM7132	Bedieningshandel	EP0017	Control lever
28	1	STM7150	Zekeringhouder	ZEHC100	Fuse holder
29	1	STM7138	Fuse 160 A traag	ZE160	Fuse 160 A slow blow
30	2	STM7197	Binnenzesk.bout M6 x 16 RVS	B06317R	Hex. socket head cap screw M6 x 16 SS
31	1	STM7206	Steun, contrasteker		Bracket, receptacle
32	1	STM7208	Aansluitkabel		Coonection cable
33	1	STM7209	Afsluitsteker		Terminator

Warmtegeleidende pasta (STM7142)

groep/ group	blz./ page	type	omschrijving/description	datum/date
4	2	EP2200H	Electrische voortstuwing, hybride uitv. Electric propulsion, hybrid version	03 12 01



onderdelencatalogus  
parts catalogue



groep/ group	blz./ page	type	omschrijving/description	datum/date
-----------------	---------------	------	--------------------------	------------

pos.	qty	part	benaming	description
------	-----	------	----------	-------------

--	--	--	--	--

onderdelencatalogus  
parts catalogue



groep/ group	blz./ page	type	omschrijving/description	datum/date
-----------------	---------------	------	--------------------------	------------

--	--	--	--	--

***Vetus Diesel***  
a division of ***Vetus den Ouden n.v.***

FOKKERSTRAAT 571 - 3125 BD SCHIEDAM - HOLLAND - TEL.: +31 (10) 4377700  
FAX: +31 (10) 4621286 - 4373474 - 4153249 - 4372673 - E-MAIL: DIESEL@VETUS.NL