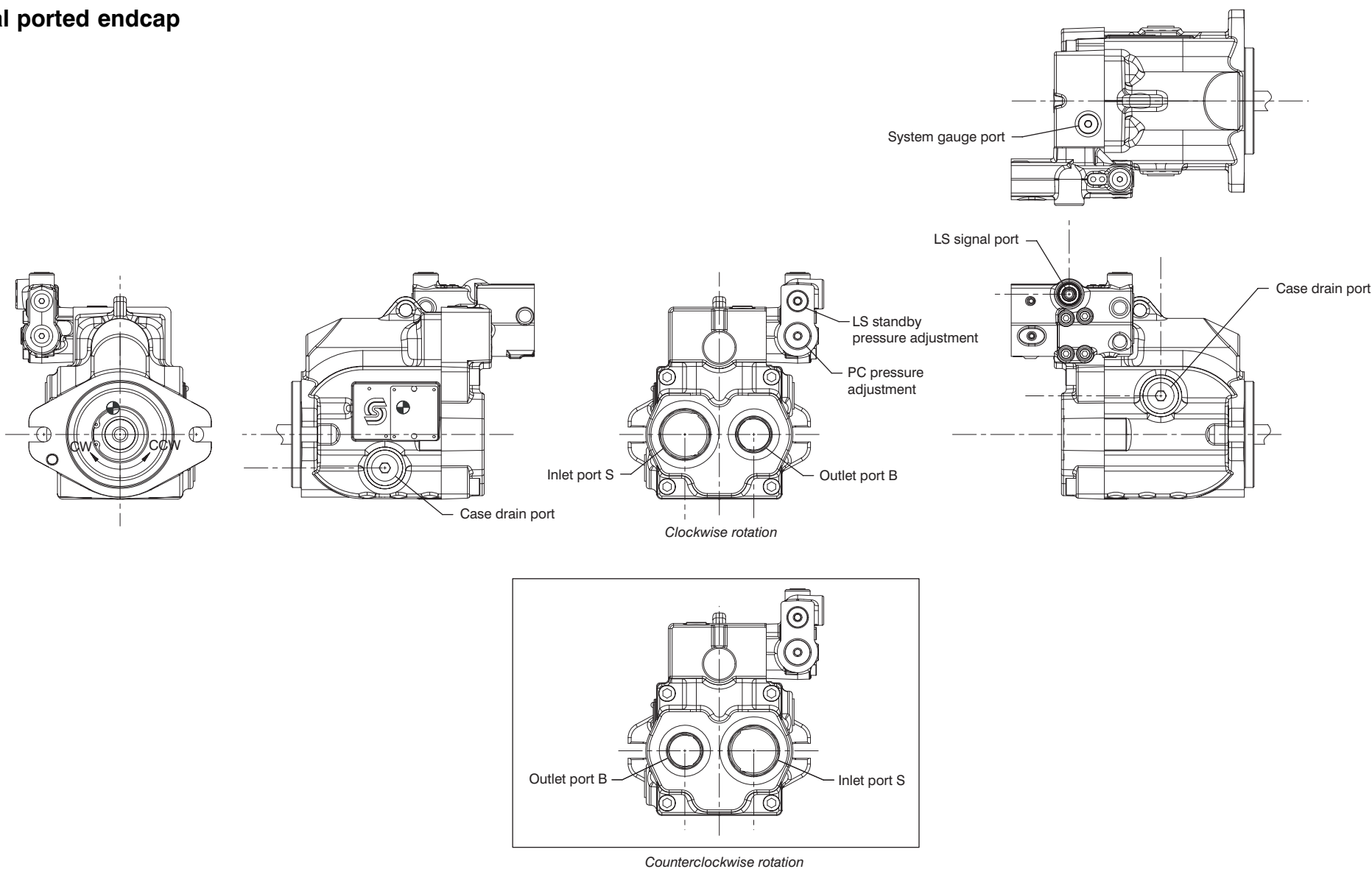


Axial ported endcap



Radial ported endcap

